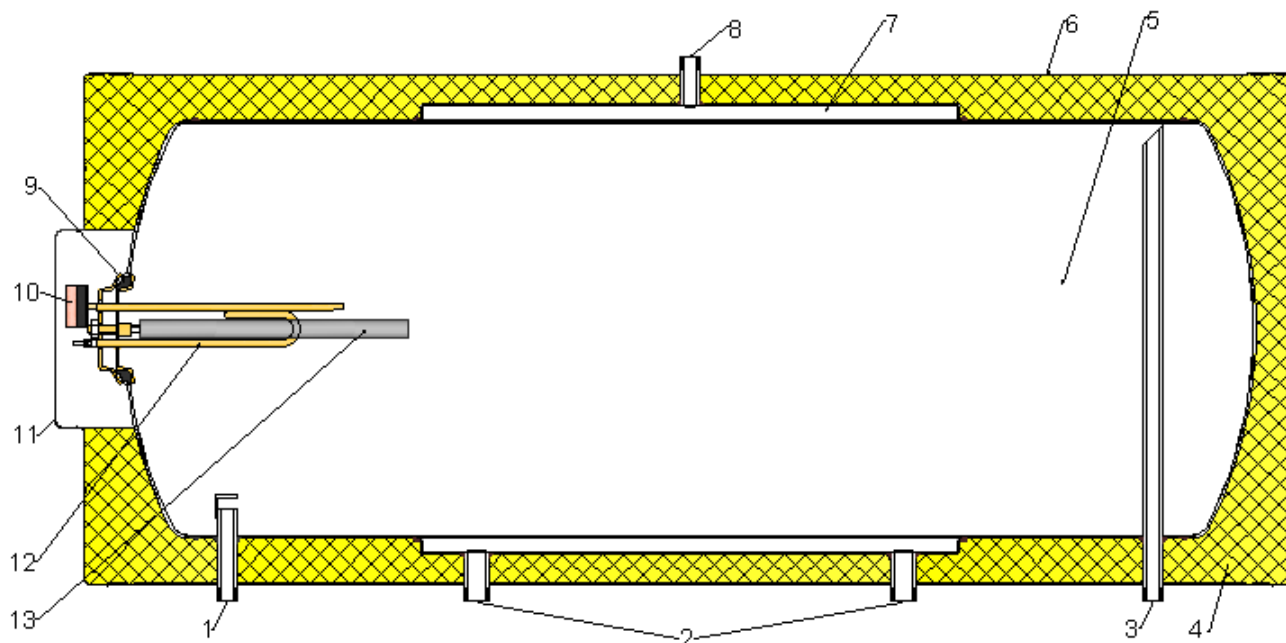


## Storage Tank Model : J160



### Technical Specifications

Product : Storage Tank  
Model : J200

#### Dimensions

- Outside Diameter : 560 mm
- Length : 1130 mm
- Weight when empty : 45 Kg

#### Boiler

- Material : Galvanized Steel
- Thickness : 3mm
- Nominal Volume : 160L
- Maximum Temperature: 90 °C
- Maximum Pressure: 10 bar

#### Heat Exchanger

- Type : Jacket
- Material : Galvanized Steel
- Thickness : 2mm
- Length: 620mm
- Width : 1530mm
- Maximum Pressure : 3 bar

#### Insulation

- Nature: Polyurethane
- Density : 40 kg / m<sup>3</sup>
- Thickness : 50mm

#### Hydraulic Tubes

- Total number of tubes: 5
- Ø Input – Output jacket (closed circuit): 3/4"
- Ø Input cold water– Output hot water: 1/2"
- Ø Tube of the security valve: 1/2"

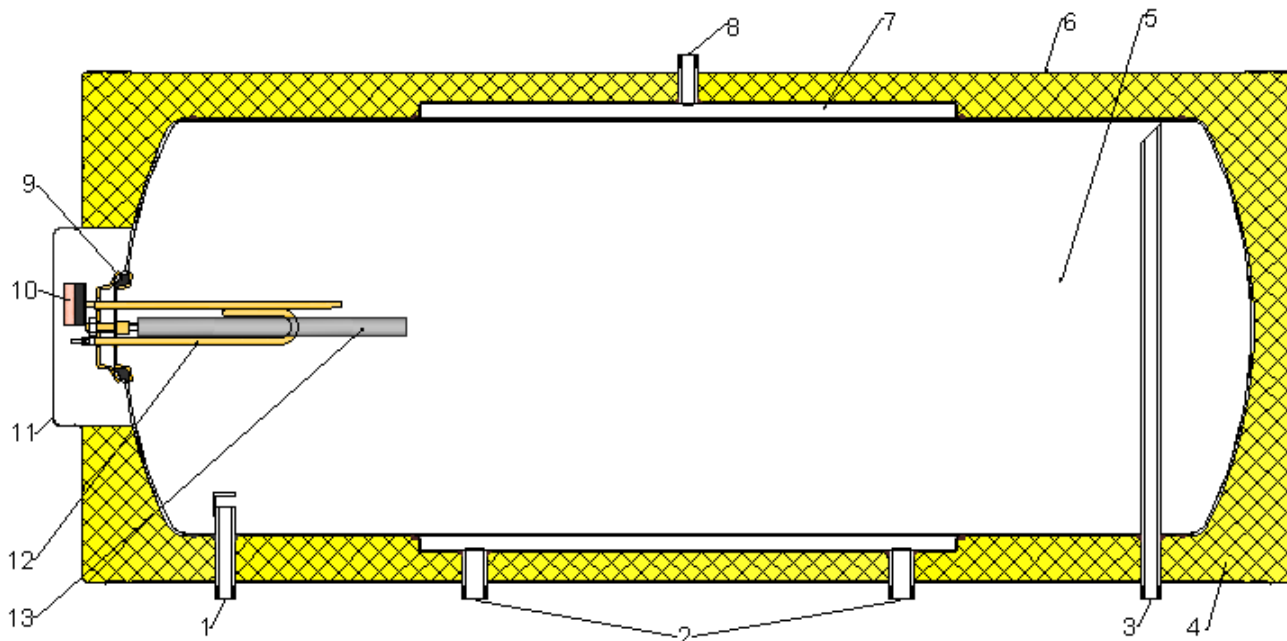
- 1) Input cold water
- 2) Input – Output jacket (closed circuit)
- 3) Output hot water
- 4) Insulation by Polyurethane
- 5) Inside boiler
- 6) Outside cover
- 7) Jacket (closed circuit)
- 8) Tube of the security valve
- 9) Waterproof rubber joint
- 10) Thermostat
- 11) Cover of the resistance
- 12) Electrical resistance
- 13) Magnesium anode

Our Storage Tanks, Type J160, are manufactured according to the most rigorous norms of quality and are characterized by a high efficiency and long life expectancy.

Our J160 storage tanks are characterized by :

- A corrosion protection by means of Duroplastic coating materials according to DIN 4753-4.
- A cathodic protection by a magnesium anode.
- An excellent hot water conservation thanks to the high thickness and quality of the polyurethane.
- An optimal heat transmission and a limestone protection thanks to the Jacket that allows an indirect thermosiphonic functioning (closed circuit).
- An outside protection ensured by a galvanized steel cover, electrostatically coated by Polyester, to provide corrosion and UV rays protection.
- A Comfort of use thanks to the integrated electrical resistance which is set to start automatically in order to provide hot water permanently, even in cloudy days.

## Storage Tank Model : J300



### Technical Specifications

Product : Storage Tank  
Model : J300

#### Dimensions

- Outside Diameter : 560 mm
- Length : 1970 mm
- Weight when empty : 70 Kg

#### Boiler

- Material : Galvanized Steel
- Thickness : 3mm
- Nominal Volume : 300L
- Maximum Temperature: 90 °C
- Maximum Pressure: 10 bar

#### Heat Exchanger

- Type : Jacket
- Material : Galvanized Steel
- Thickness : 2mm
- Length: 1500mm
- Width : 1530mm
- Maximum Pressure : 3 bar

#### Insulation

- Nature: Polyurethane
- Density : 40 kg / m<sup>3</sup>
- Thickness : 50mm

#### Hydraulic Tubes

- Total number of tubes: 5
- Ø Input – Output jacket (closed circuit): 3/4"
- Ø Input cold water– Output hot water: 1/2"
- Ø Tube of the security valve: 1/2"

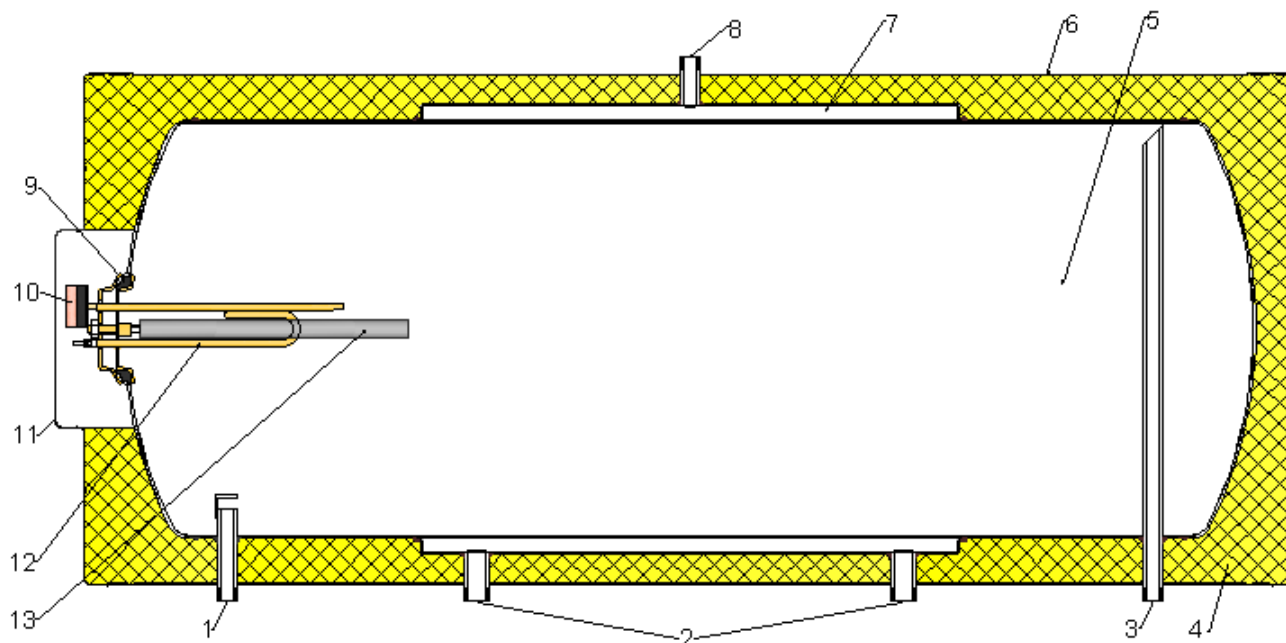
- 1) Input cold water
- 2) Input – Output jacket (closed circuit)
- 3) Output hot water
- 4) Insulation by Polyurethane
- 5) Inside boiler
- 6) Outside cover
- 7) Jacket (closed circuit)
- 8) Tube of the security valve
- 9) Waterproof rubber joint
- 10) Thermostat
- 11) Cover of the resistance
- 12) Electrical resistance
- 13) Magnesium anode

Our Storage Tanks, Type J300, are manufactured according to the most rigorous norms of quality and are characterized by a high efficiency and long life expectancy.

Our J300 storage tanks are characterized by :

- A corrosion protection by means of Duroplastic coating materials according to DIN 4753-4.
- A cathodic protection by a magnesium anode.
- An excellent hot water conservation thanks to the high thickness and quality of the polyurethane.
- An optimal heat transmission and a limestone protection thanks to the Jacket that allows an indirect thermosiphonic functioning (closed circuit).
- An outside protection ensured by a galvanized steel cover, electrostatically coated by Polyester, to provide corrosion and UV rays protection.
- A Comfort of use thanks to the integrated electrical resistance which is set to start automatically in order to provide hot water permanently, even in cloudy days.

## Storage Tank Model : J200



### Technical Specifications

Product : Storage Tank  
Model : J200

#### Dimensions

- Outside Diameter : 560 mm
- Length : 1340 mm
- Weight when empty : 55 Kg

#### Boiler

- Material : Galvanized Steel
- Thickness : 3mm
- Nominal Volume : 200L
- Maximum Temperature: 90 °C
- Maximum Pressure: 10 bar

#### Heat Exchanger

- Type : Jacket
- Material : Galvanized Steel
- Thickness : 2mm
- Length: 750mm
- Width : 1530mm
- Maximum Pressure : 3 bar

#### Insulation

- Nature: Polyurethane
- Density : 40 kg / m<sup>3</sup>
- Thickness : 50mm

#### Hydraulic Tubes

- Total number of tubes: 5
- Ø Input – Output jacket (closed circuit): 3/4"
- Ø Input cold water– Output hot water: 1/2"
- Ø Tube of the security valve: 1/2"

- 1) Input cold water
- 2) Input – Output jacket (closed circuit)
- 3) Output hot water
- 4) Insulation by Polyurethane
- 5) Inside boiler
- 6) Outside cover
- 7) Jacket (closed circuit)
- 8) Tube of the security valve
- 9) Waterproof rubber joint
- 10) Thermostat
- 11) Cover of the resistance
- 12) Electrical resistance
- 13) Magnesium anode

Our Storage Tanks, Type J200, are manufactured according to the most rigorous norms of quality and are characterized by a high efficiency and long life expectancy.

Our J200 storage tanks are characterized by :

- A corrosion protection by means of Duroplastic coating materials according to DIN 4753-4.
- A cathodic protection by a magnesium anode.
- An excellent hot water conservation thanks to the high thickness and quality of the polyurethane.
- An optimal heat transmission and a limestone protection thanks to the Jacket that allows an indirect thermosiphonic functioning (closed circuit).
- An outside protection ensured by a galvanized steel cover, electrostatically coated by Polyester, to provide corrosion and UV rays protection.
- A Comfort of use thanks to the integrated electrical resistance which is set to start automatically in order to provide hot water permanently, even in cloudy days.